



Data Sheet



- **0.2 to 2 Amps**
- **Fixed 50 ns pulse width**
- **Rise-time of <2 ns**
- **Single-shot to 1 MHz***
- **Current monitor output**
- **Higher currents available**
- **Lightweight**

The PLDD-2-SP is a compact all solid-state, pulsed current source designed to drive single or multichip laser diodes. The unit features a peak current of 2 amps with a rise-time of <2 ns (load dependent) and a fixed pulse width of 50 ns. The pulse repetition frequency can be varied from single shot to 1 MHz*.

The PLDD-2-SP is a light weight driver where the current amplitude is controlled by an on-board potentiometer.

The current monitor output may be viewed with an oscilloscope allowing the user a real time view of the current.

The PLDD-2-SP requires a user supplied +24 to 28 volt input supply.

** May be higher at lower peak currents and may be load dependent.*



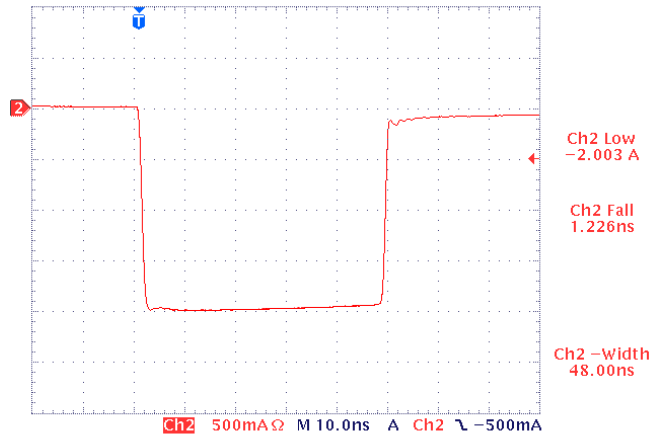
PLDD-2-SP

Pulsed Laser Diode Driver

Specifications*	
Parameter	Value
Pulse Output Current	
Amplitude Range	200 mA to 2 A
Amplitude Adjustment	On board trimpot
Pulse Rise/Fall Time	<2 ns
Pulse Width	50 ns fixed (contact factory for other pulse widths)
Pulse Recurrence Frequency Range	Single Shot to 1 MHz at 2 A, may be higher for lower currents
Compliance Voltage	Consult factory with your specific load for compliance specification
Output Connector	Diode soldered directly to PCB pads
Trigger Requirements	
Type	Active high CMOS/ TTL
Outputs	
Current Monitor	1.00 V/A into 50 Ω
General	
Input Power	24 V-28 VDC at 55 mA (max) 40 mA at idle
Dimensions (H X W X D) inches	1.25" X 4.0" X 2.70" (Approximate, see drawing)

*Specifications are subject to change without notice.

Current Monitor Output
2 Amps / <2 ns rise



5 May 2009

0.5 A / div
10 ns / div

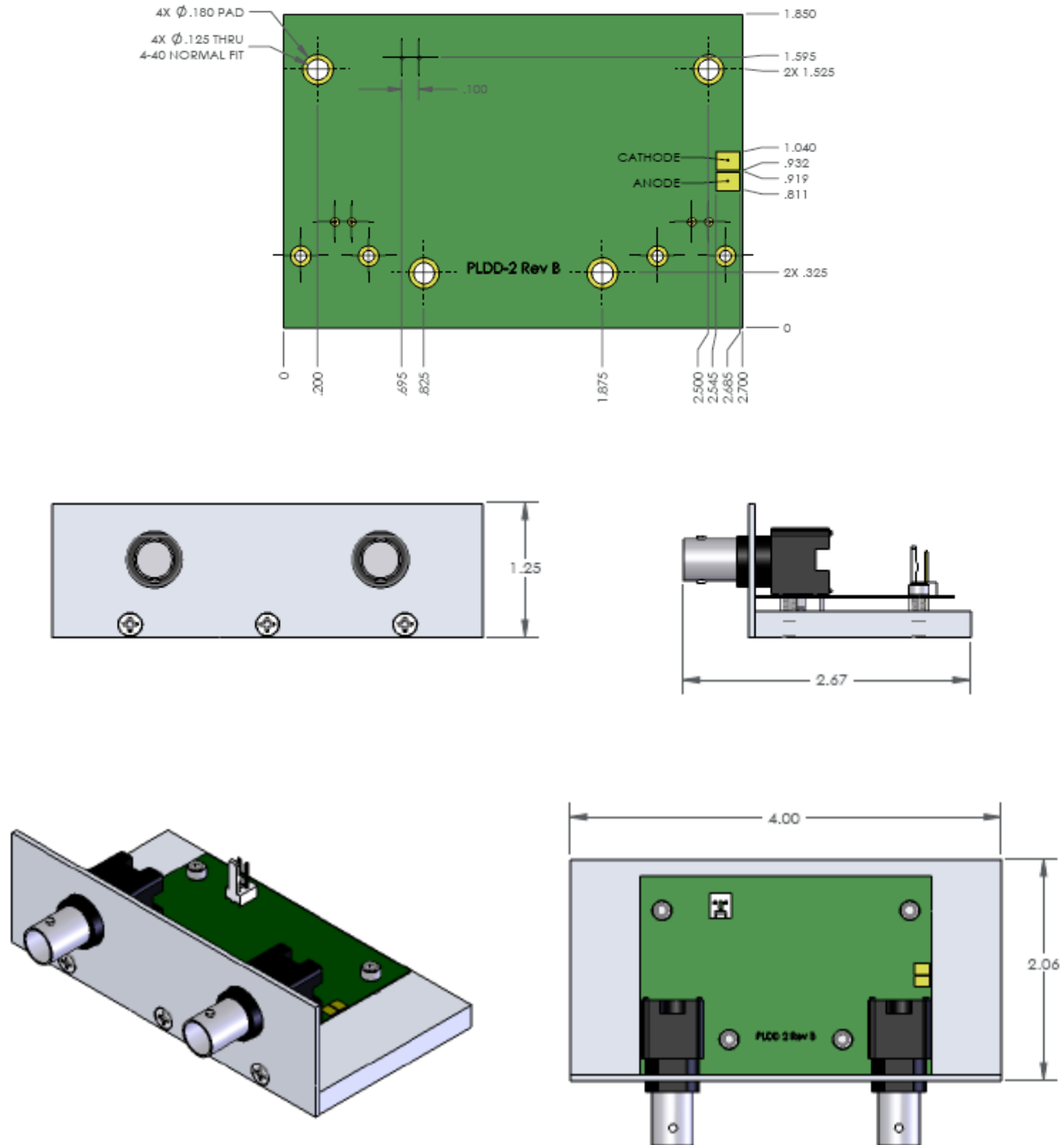
OptiSwitch Technology Corporation
6355 Nancy Ridge Drive, San Diego, CA 92121
Tel: (858) 452-8787 ◦ Fax: (858) 452-8788
Email: sales@optiswitch.com ◦ Web: <http://www.optiswitch.com>

Last Revision: 1/9/2010
RMS



PLDD-2-SP Pulsed Laser Diode Driver

Physical Dimensions*



**Dimensions are subject to change without notice.*

OptiSwitch Technology Corporation
6355 Nancy Ridge Drive, San Diego, CA 92121
Tel: (858) 452-8787 ◦ Fax: (858) 452-8788
Email: sales@optiswitch.com ◦ Web: <http://www.optiswitch.com>

Last Revision: 1/9/2010
RMS